

Real-time Hydraulic and Water Quality Modeling

www.hydrotrek.com

HydroTrek

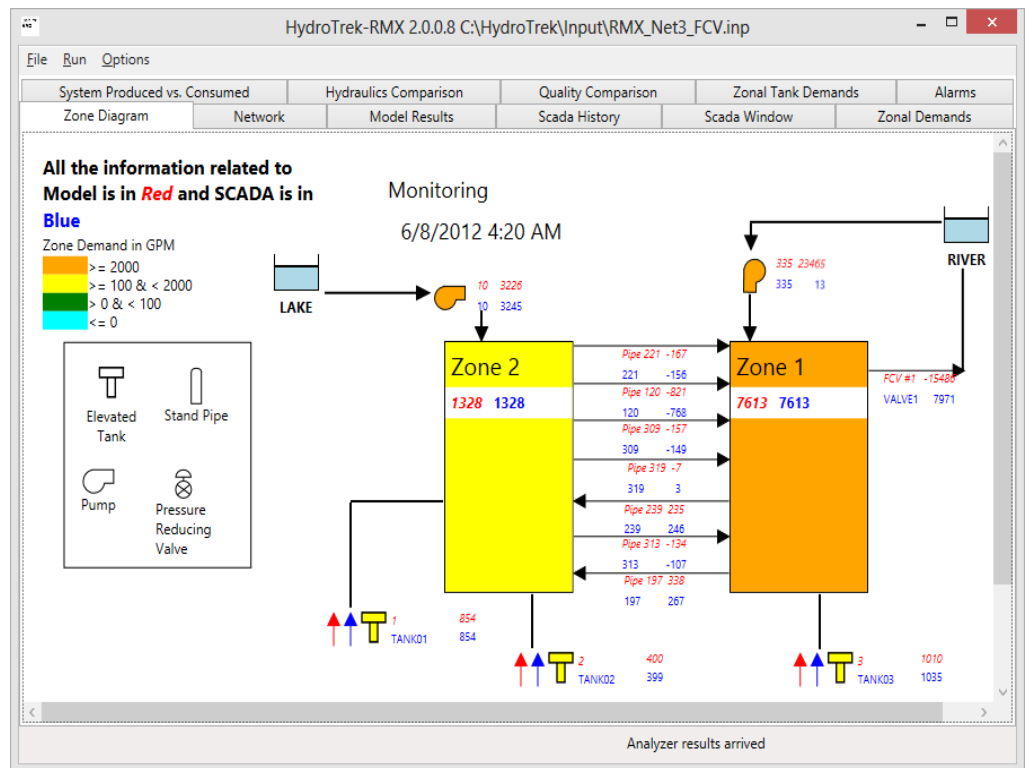
supercharge your network model to explore new frontiers

detect leaks*reduce costs*improve delivery*detect and trace contaminants

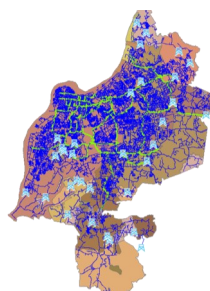
HydroTrek software from Global Quality Corp. (GQC) utilizes the SCADA data to modify the model behavior in a "live" mode or in a "history mode" and can "re-calibrate" your planning model at a fraction of the usual cost. It has been field-tested at both small and large utilities.

HydroTrek leverages your existing investment in network modeling, GIS data and SCADA system, and provides you a toolset to reduce energy costs and pinpoint leaks while maintaining water quality.

HydroTrek also allows you to detect contaminants and identify their sources. It is based on US EPA's leading multi-species modeling and back-tracking software libraries and can be used to determine potential sensor locations and to determine sampling locations for RTCR compliance.



HydroTrek has the ability to display data in a number of ways to suit the needs of a utility. Individual components can be displayed (i.e. tank levels or pump flows), or the entire network can be viewed in terms of a zonal diagram displaying both SCADA and model values in real-time. HydroTrek output matches SCADA data because its algorithms accurately modify the model in real-time.



Louisville Water Company used HydroTrek to convert their planning model to a real-time model. Louisville has over four thousand miles of pipeline, 40 booster stations, 30 elevated tanks/standpipes, and about 30 different pressure zones.

For additional details of GQC HydroTrek, please contact:

Global Quality Corp., Covington, KY and Palo Alto, CA

Ph: (888)474-9780, e-mail: sudhir@gqc.com